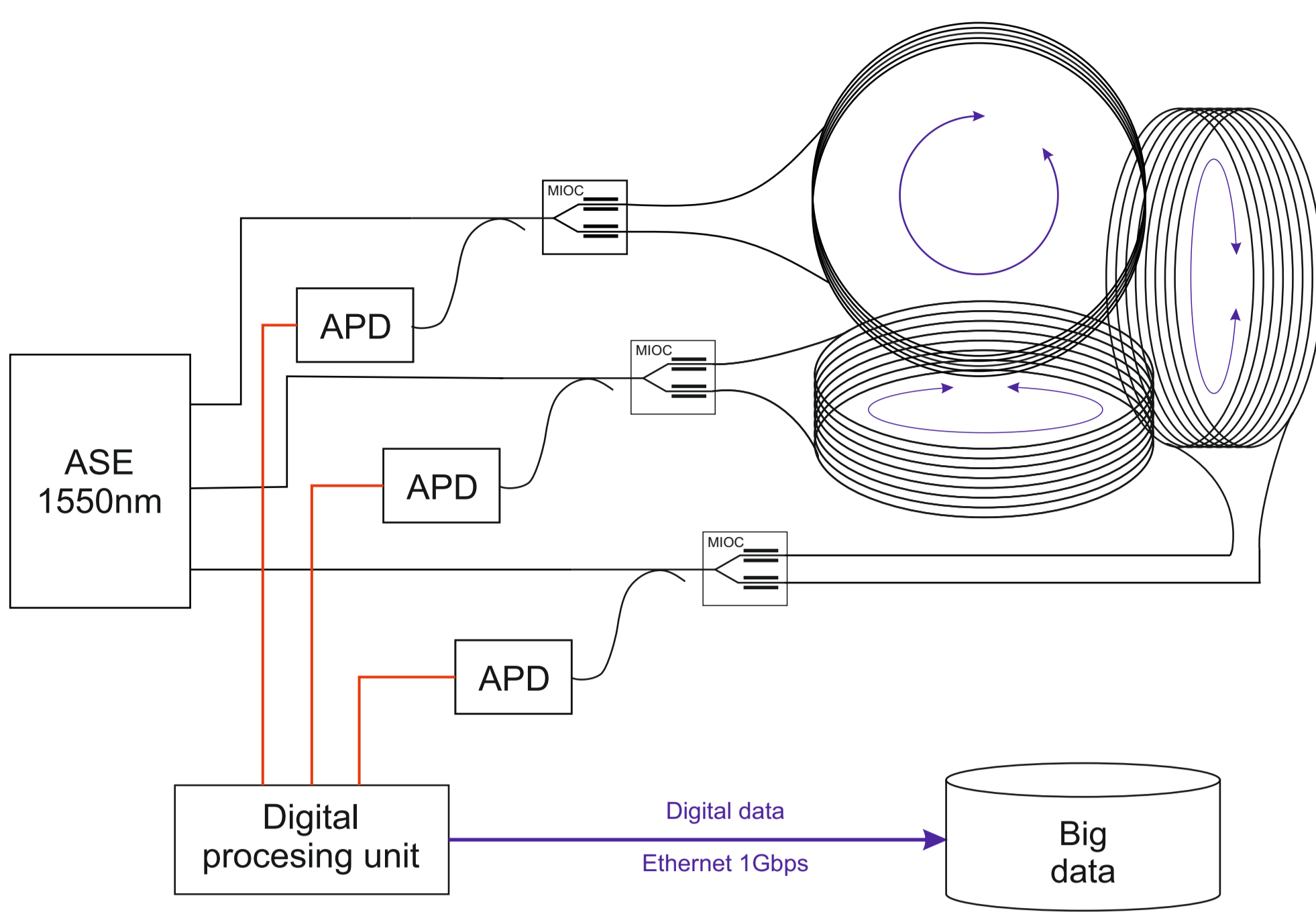


**Multipurpose Earth & Space Photonic Sensor with Big Data output
next generation FOG and seismograph for ROTATIONAL seismology**



The sensor operates as a result of the measurement of a difference between two interfering light beams propagating around a closed (very long) optical path, in opposite directions,

- Unique high-accuracy technology, so far available from 2 countries only;
- Sagnac effect, independent of Earth Gravity, for which the only frame of reference is Einstein's space-time;

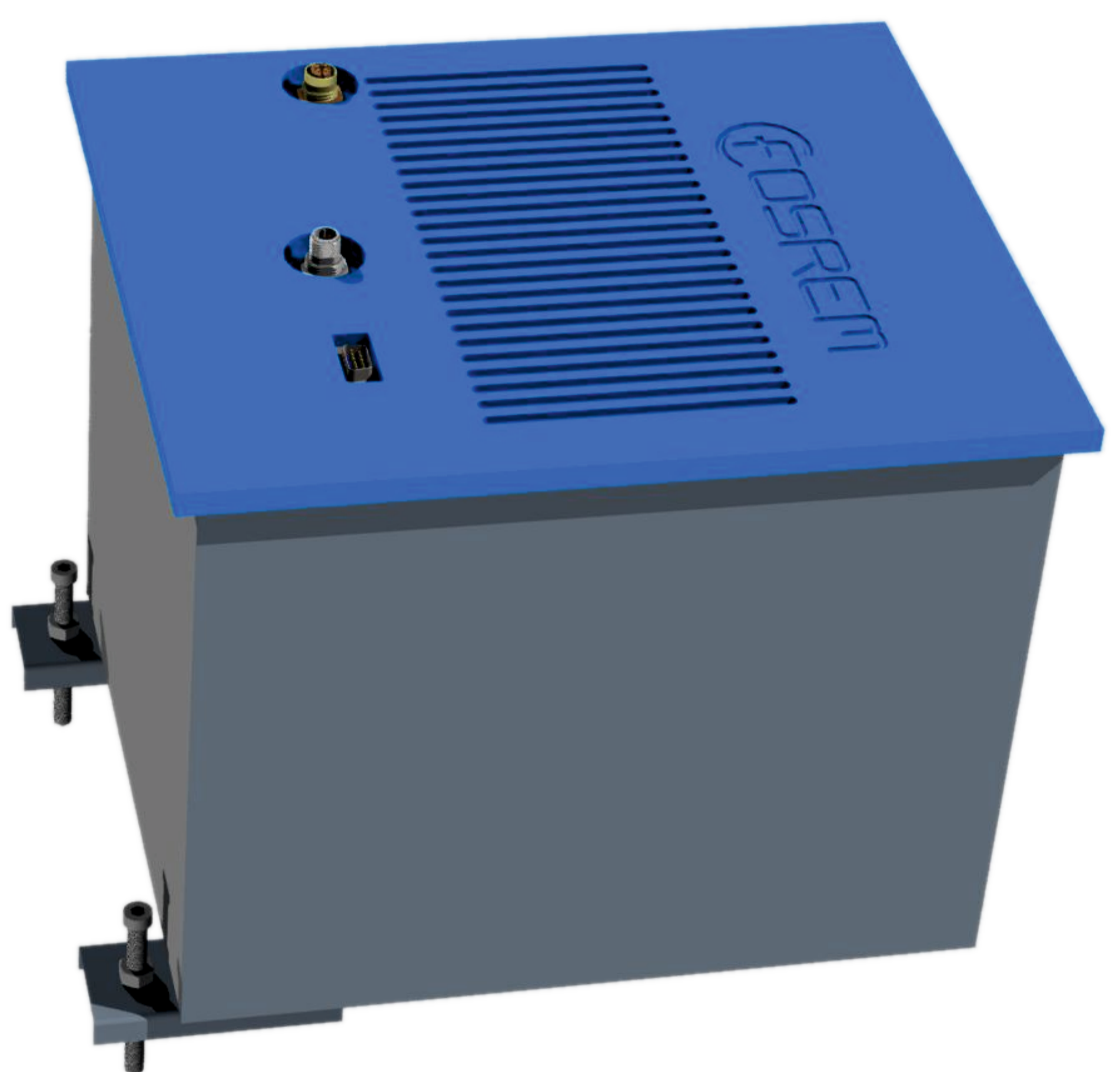
The Sensor produces high-resolution Big Data output for the next step of profile computing. When synchronized in the time domain, the sensors provide unique new 3D information not available from a single sensor. In addition, Rubidium's high-frequency option improves the resolution of frequency domain operations, providing so far undiscovered data.

The main business profiles are Microseismic sensing (gas & oil, thermal water, mining industry), military, autonomous vehicles (autonomous cargo-ships/drones/plains/robots), industry asset management.

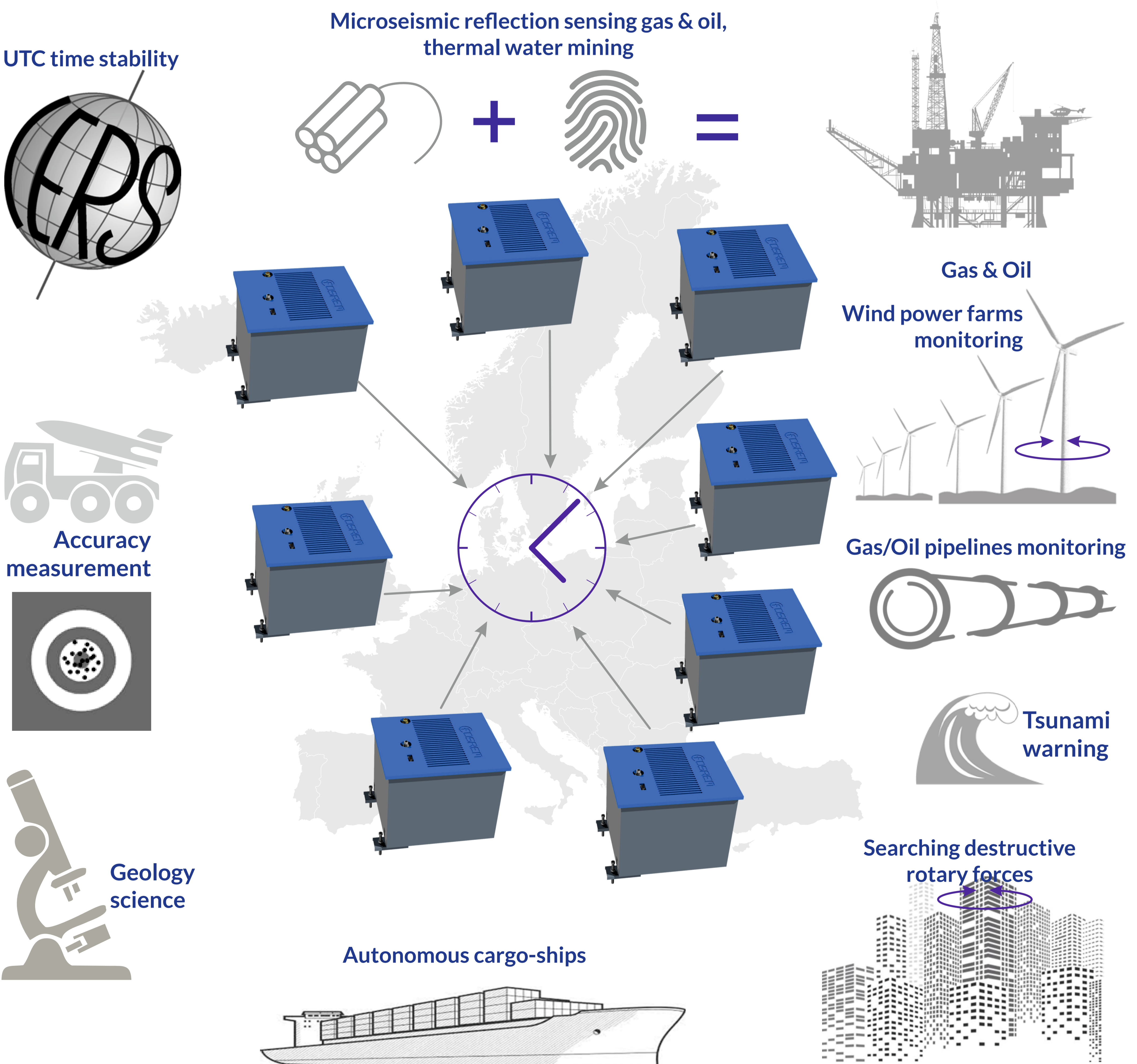
**FOS6 a new 3 axis, high speed, rotational seismograph
with precision time synchronisation.**

Technical parameters

Rotational rate dynamic range	10 rad/s
Sensitivity	$2,5 \cdot 10^{-8}$ rad/s/$\sqrt{\text{Hz}}$
Pass band	from 0.01 to 100 Hz
Configuration	Closed-loop configuration with digital processing
Communication	Ethneternet, WiFi, 4G/5G/SAT WWLAN, miniSSED (TCP/UDP), PTP for time stamping, GNSS
Data storage	Up to 512GB SSD in PCU can store up to 30 days of measurement data
Interfaces	1Gbps RJ-45 with PoE and PTP
Management	Local and remote management and data acquisition over Internet
Power Supply	12 - 24 VDC, via PCU over PoE, power consumption less than 20W
Dimensions {L x W x W}	360 x 300 x 295mm (sensor)
Ingress protection	IP66
Weight	20 kg (sensor)



**FOSREM is a new approach to measurement of angular velocity and angles.
Time Domain Networking FOSREMS provides qualitatively new data.**



**Atomic quality clocking 3-Axial FOG sensors for autonomous vehicles & space industry.
Synchronised networking SEISMOGRAPHS for microseismic sensing (location of position).
From calibration, via IMU & angle measurement up to sensing of gas/oil/thermal water.**